

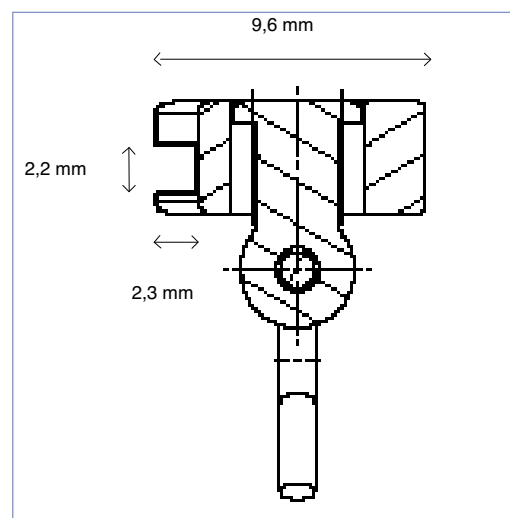
SLIDERS & HOOKS FASTGLISS

*Designed for
Pleated curtains*

- Low friction coefficient – better handling of pleated curtains.
- No thickness in the curtain head
- High resistance - durable at 15 daN breaking point at ~ 18 daN +/- 1.
- Jar 25 853 - small parts compliant
- Compatible with many rails Boeing, Airbus, Falcon, Bombardier...
- One slider and two kinds of hooks
- Easier dismantling of curtains
- Interchangeable with your existing solution by changing the hook.
- Color : grey as standard



ONE SLIDER AND TWO KINDS OF HOOKS



REF FASTGLISS 25P



REF FASTGLISS 25E

